



HI-Flow Pressure Balance Concealed Bath Mixer

ROHL Cisal Bath
 ROHL Country Bath Collection
 ROHL Perrin & Rowe Bath
 ROHL Modern Collection

REF-1 (Bath or Shower Mixer Without Diverter)

REF-2 (Bath and Shower Mixer With Diverter)

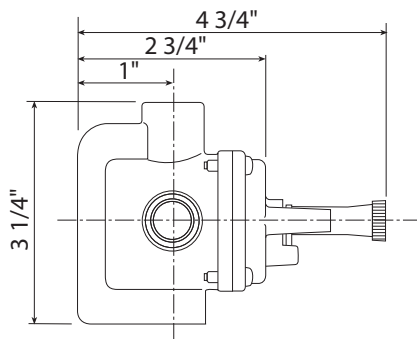
FEATURES

- Single lever, diaphragm cartridge
- Bath-to-shower diverter with automatic reset (REF-2)
- Built-in filters (REF-2)
- Body made from solid brass
- Shower Flow: 7.2 GPM at 45 PSI
 9 GPM at 60 PSI
- Tub Flow: 6.8 GPM at 45 PSI (REF-2)
 8.2 GPM at 60 PSI (REF-2)
- Must order trim to complete package
- 3/4" extension kit available (3603-1208)
- 1/2" extension kit available (3603-1207)
- Service Stops available (9900-2134)
- From the center of supply to finish wall: Min. 1 5/8",
 max. 2 1/8"

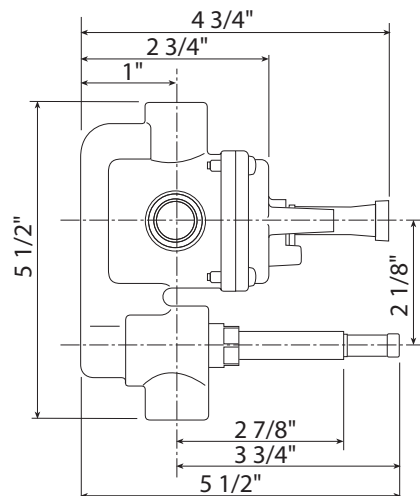
WARRANTY

- Limited Lifetime

REF-1

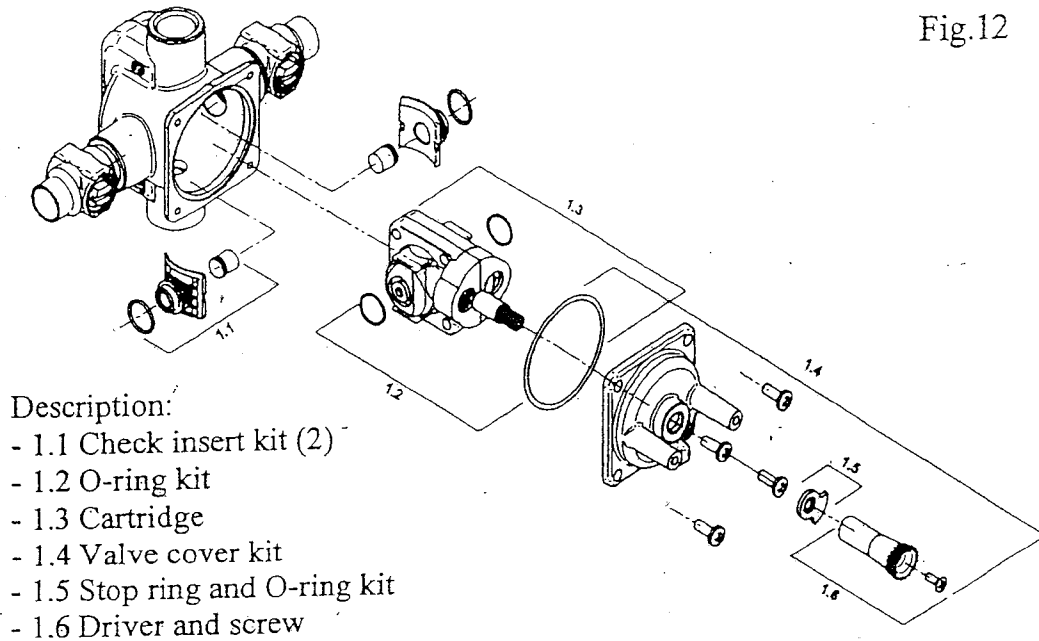


REF-2



REF Spare Parts

Fig.12



Description:

- 1.1 Check insert kit (2)
- 1.2 O-ring kit
- 1.3 Cartridge
- 1.4 Valve cover kit
- 1.5 Stop ring and O-ring kit
- 1.6 Driver and screw

| PART NUMBER | | DESCRIPTION | |
|-------------|-----------|-------------|--|
| 1.1 | 2104-0110 | RPC | INLET FILTER INSERT |
| 1.1 | 3113-1000 | REF | INLET CHECK VALVE |
| 1.2 | 3103-1225 | RPC REF | TRIPLE O-RING REPLACEMENT KIT |
| 1.3 | 4103-1285 | RPC | PRESSURE BALANCE CARTRIDGE |
| 1.3 | 4113-0001 | REF | ENHANCED FLOW CARTRIDGE |
| 1.4 | 3103-1216 | RPC REF | VALVE COVER ASSEMBLY |
| 1.5 | 2303-1210 | RPC REF | ESCUTCHEON HOT LIMIT STOP & ESCUTCHEON SCREW |
| 1.6 | 3103-1232 | RPC REF | DRIVER & SCREW |